



Summary

The SNC-L200/L200W is a network camera that can be monitored from a remote PC through a range of networks including wireless LAN environments. When an alarm is triggered, images from before and after are captured and saved to a PC.



Features

- 1/4" 320K pixels CMOS Camera
- Maximum of 8 preset points
- Pan/tilt control
- When an alarm occurs in a place below a certain level of illumination, the flash is triggered and the user can monitor the video
- Supports a variety of communication protocols : TCP/IP, UDP, ARP, HTTP, SMTP, FTP, Telnet, DHCP, PPPoE
- Supports wireless LAN environment, accommodating 802.11b specifications (SNC-L200W)

Dimensions (unit:mm)

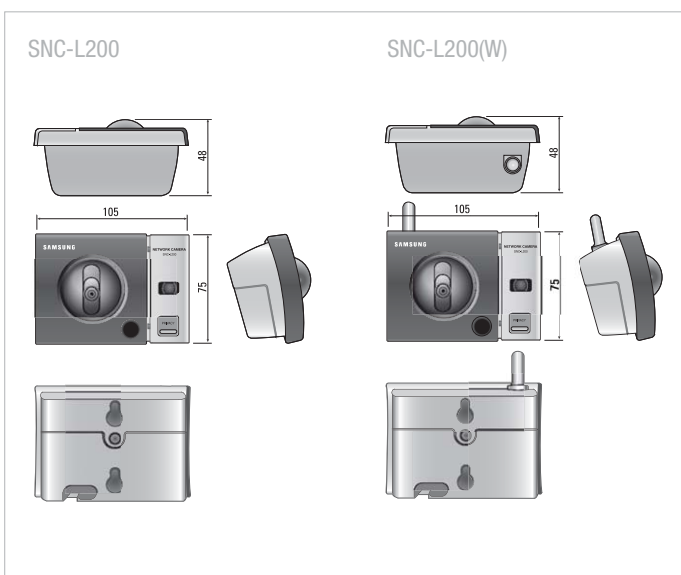


Image File Size by Resolution

Quality	VGA	QVGA
High	25	9
Normal	17	7
Low	15	4

Smart Viewer

Main Screen

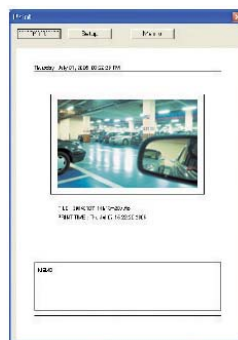
The user can perform a range of functions from the Smart Viewer, including camera control (pan/tilt), PIR and file saving.



Screen Size Change



Simple Player



Simple Player provides a simple user interface that allows playing, saving, editing, enlarging, reducing and printing of recorded video files.

Specifications

Model	SNC-L200	SNC-L200W
1. Camera Section		
Broadcasting Method	NTSC Standard : 525Lines, 30Frames/sec	
Image Sensor	1/4" 320,000 Pixels COMS	
White Balance	Auto	
Focus	Fixed 1m ~ infinity	
Acceptable scene illumination	1~ 10,000 Lux	
PAN / TILT	PRESET / POWER Pan-Tilt / PAN / TILT Control	
Remote Pan Operation Range	50°left / right max. (or less based upon user setting)	
Remote Tilt Operation Range	40° ~ +10° (or less based upon user setting)	
Pan/Tilt Speed	Pan: 50°/sec, Tilt : 50°/sec	
Number of Presets	8	
Flash LED	LED Degree Lens : 45, Lux Value(3m) : 8.0Lux, Range: 3m	
PIR Sensor	Left / Right : 30°, Up / Down : 85°, Range : 3m	

2. Network & Server Section

Network	10/100Base-T (Ethernet)	
Network Service	Fixed IP, Cable Modem, ADSL, DHCP, IP Router	
Network Protocol	TCP/IP, UDP, DHCP, ARP, HTTP, Telnet, PPPoE, SMTP, FTP	
Compression Method	MJPEG	
Resolution	640 x 480, 320 x 240, 160 x 120(Mobile only)	
Transmission Speed	320 x 240 : Max 30 FPS <-> (Max Panasonic- 15 FPS) 640 x 480 : Max 15 FPS <-> (Max Panasonic- 7.5 FPS)	
File Size	640 x 480 : 25KB, 17KB, 12KB / 320 x 240 : 9KB, 7KB, 4KB / 160 x 120 : 4KB, 3KB, 2KB(Mobile only)	
Login Privilege	ID/Password (1 administrator, up to 9 general users)	
Software Upgrade	Ethernet Connection (Free firmware upgrade)	
IP Router	Netgear(Model : WGR614v5,WGR614v6), DI-624, DI-624+, DI-624+A, ZIO WLB 5054IP	
Number of Simultaneous Connections	10	
Pre-Alarm Image Buffer	Yes	
Video Recording	Yes (saving to the PC set through the network)	
Transmission Speed Setting	1.0 / 5.0 / 10.0 / 15.0 / 30.0	
DDNS Server	Yes	
Wireless LAN	-	802.11b
Operating Range	-	100 ~ 150 feet (will vary depending on conditions, building structure, material, and layout)
Transmission Speed	-	11Mbps

3. Viewer Section

Operation Environment	Win NT4.0, Win 2000, Win 2000 Home, Pro	
Pan / Tilt Control	Yes	
Alarm Event	Yes	
Security	ID/Password	
Folder/File Management	Automatically creates Folder/File name when saving	
Flash LED	On/Off (Manual)	

4. Misc. Section

PIR Sensor	Yes	
Flash LED	Yes	
Operating Temperature	0°C ~ +40°C	
Power Requirement	DC 8.4V (including an adaptor), 500mA	
Power Consumption	4.2W	
Weight	400g	
Dimensions	105(W) x 75(H) x 48(D)mm (min. D=42)	